

T6GC, T7GB, T6GCC, T67GCB, T7GBB 系列柱销式叶片泵

T6GC, T7GB, T6GCC, T67GCB, T7GBB SERIES-PIN VANE PUMPS

适用于工程机械特别是行走机械的高压高性能柱销式叶片泵。

主要特点为：

- 1、改进的轴承结构及矩形花键轴设计，可以由发动机或变速箱直接驱动。
- 2、双油封结构，适应行走机械的恶劣环境。
- 3、采用插装式结构，泵芯与T6C及T7B叶片泵泵芯完全互换，维修方便。

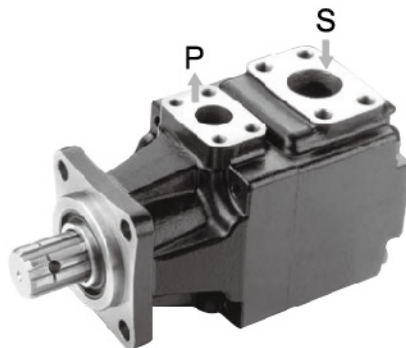
The high pressure and high performance pin type vane pump is applicable to engineering machinery, especially to mobile machinery.

The main features:

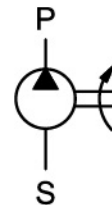
- 1.The improved bearing structure and rectangle spline shaft design can be driven by motor or gearbox directly.
- 2.Double shaft seal structure, is fit for bad situations of mobile machinery.
- 3.Adopt insert structure, the cartridge kit of T6C and T7B can be interchangeable completely, very convenient for repair.

T6GC, T7GB 系列单泵

T6GC, T7GB SERIES-SINGLE PUMPS



液压符号
Hydraulic Sign



型号说明

MODEL CODE

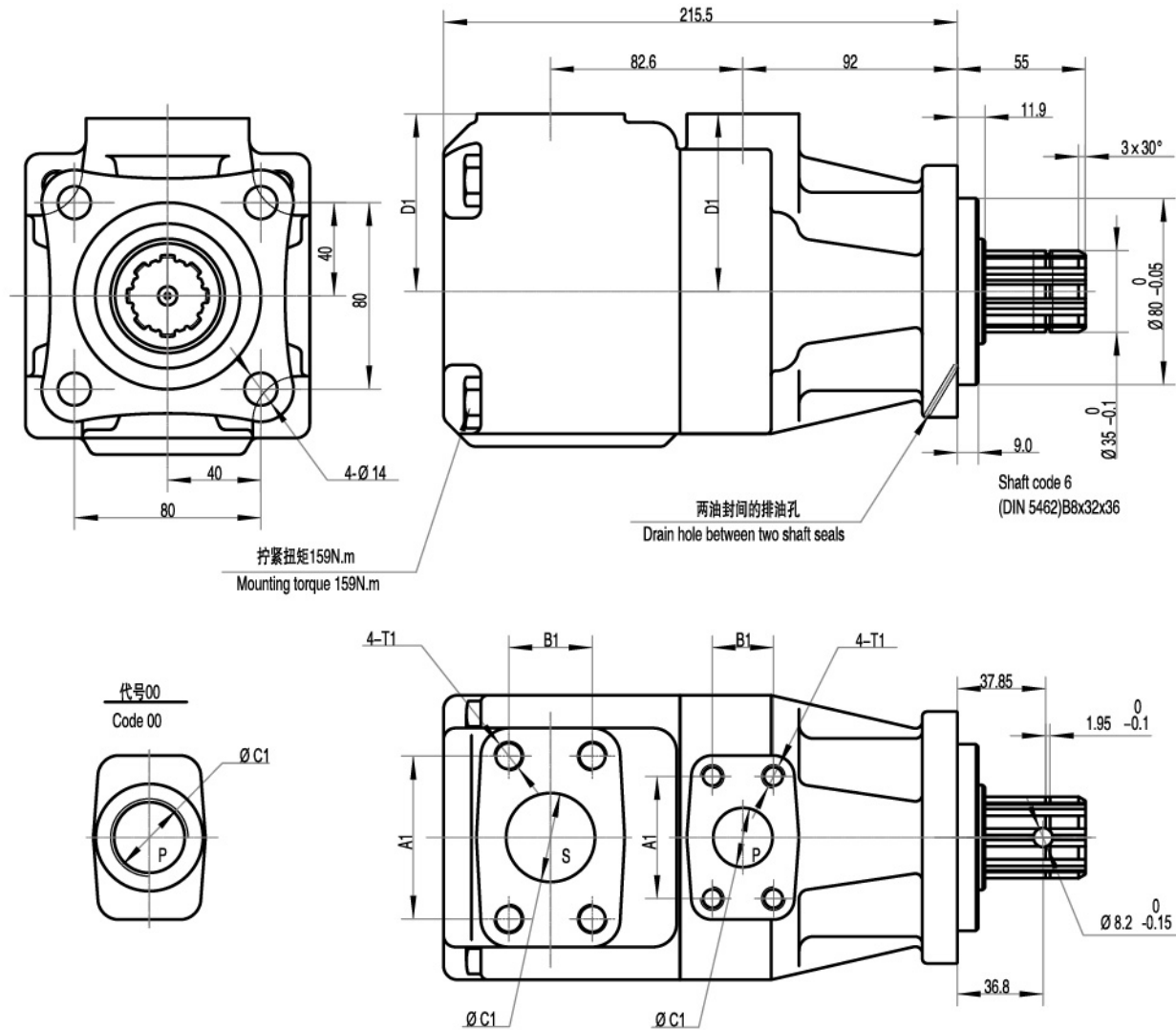
T6GC	-B10	-6	R	00	-A	1	01
系列号 Series	排量代号 Flow code	轴伸形式 Shaft type	旋转方向 Rotation	出油口位置 Outlet Positions	设计号 Design number	密封等级 Sealing Level	油口尺寸 Port dimensions
T6GC	B03, B05, B06, B08, B10, B12, B14, B17, B20, B22, B25, B28, B31	见轴伸尺寸 See size of shaft	从泵的轴端看 Viewed from shaft end of pump R-顺时针旋转 right hand for clockwise L-逆时针旋转 left hand for counter-clockwise	(从泵的轴端看) (Viewed from shaft end of pump) 00-进油口对面 Opposite inlet port 01-进油口同侧 Inline with inlet 02-从进油口逆时针90° 90° CCW from inlet 03-从进油口顺时针90° 90° CW from inlet	A	1-S1, 丁腈橡胶 NBR Nitrile rubber 5-S5, 氟橡胶 Fluororubber	00: 法兰螺纹 Flange 1"BSPP 01: SAE法兰四螺孔 Flange SAE 4 bolts(UNC) 见安装连接尺寸 See installation dimensions
T7GB	B02, B03, B04, B05, B06, B07, B08, B10, B12, B15, B20						

B03 排量代号中B表示双转向型配流侧板结构; 与相应系列、规格的T6单泵性能参数一致, 详见T6系列单泵的性能参数
B means the two steering valve plate structure.
The data of relevant series, model are unanimous. Please see T6 series-single pumps data.

安装连接尺寸

INSTALLATION DIMENSIONS

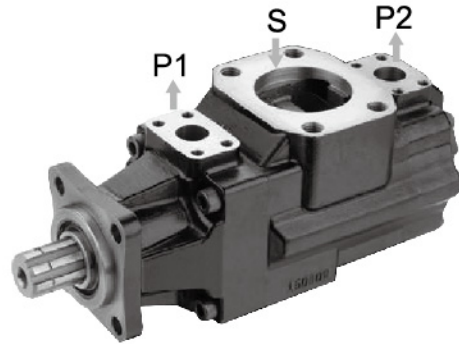
T6GC、T7GB



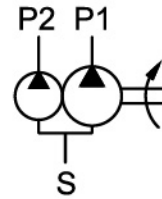
油口/Oil port			法兰 Flange	安装尺寸/Install Dimensions(mm)				
				A1	B1	Φ C1	D1	T1口螺纹Thread
T6GC T7GB	P	01: 1"	F08	26.2	52.4	25.4	76.2	3/8"-16UNCx19.0
		00: 1"BSPP	-	-	-	1"BSPP	79.5	-
	S	1-1/2"	F12	35.7	69.9	38.1	76.2	1/2"-13UNCx22.4

T6GCC, T67GCB, T7GBB 系列双联泵

T6GCC, T67GCB, T7GBB SERIES-DOUBLE PUMPS



液压符号
Hydraulic Sign



型号说明

MODEL CODE

T6GCC	-B25	-B17	-6	R	02	-B	1	10
系列号 Series	轴端泵排量代号 Flow-shaft end Pump	盖端泵排量代号 Flow-cover end Pump	轴伸形式 Shaft type	旋转方向 Rotation	油口位置 Port Positions	设计号 Design number	密封等级 Sealing Level	油口尺寸 Port dimensions
T6GCC	B03, B05, B06, B08, B10, B12, B14, B17, B20, B22, B25, B28, B31	B03, B05, B06, B08, B10, B12, B14, B17, B20, B22, B25, B28, B31	见轴伸尺寸 See size of shaft	从泵的轴端看 Viewed from shaft end of pump R-顺时针旋转 right hand for clockwise L-逆时针旋转 left hand for counter- clockwise	见下图 see below	B	1-S1, 丁腈橡胶 NBR Nitrile rubber 5-S5, 氟橡胶 Fluororubber	00, 01, 10, 11 见安装连接尺寸 See installation dimensions
T67GCB	B03, B05, B06, B08, B10, B12, B14, B17, B20, B22, B25, B28, B31	B02, B03, B04, B05, B06, B07, B08, B10, B12, B15, B20						
T7GBB	B02, B03, B04, B05, B06, B07, B08, B10, B12, B15, B20	B02, B03, B04, B05, B06, B07, B08, B10, B12, B15, B20						

B03 排量代号中B表示双转向型配流侧板结构; 与相应系列、规格的T6单泵性能参数一致, 详见T6系列单泵的性能参数
B means the two steering valve plate structure.
The data of relevant series, model are unanimous. Please see T6 series-single pumps data.

油口位置 (从泵的轴端看)

PORT POSITIONS (VIEWED FROM SHAFT END OF PUMP)

T6GCC
T7GBB
T67GCB

